

# CS12M

Schematics

Klark Teknik Building  
Walter Nash Road  
Kidderminster  
Worcestershire  
DY11 7HJ

Tel: +44 (0) 1562 741515

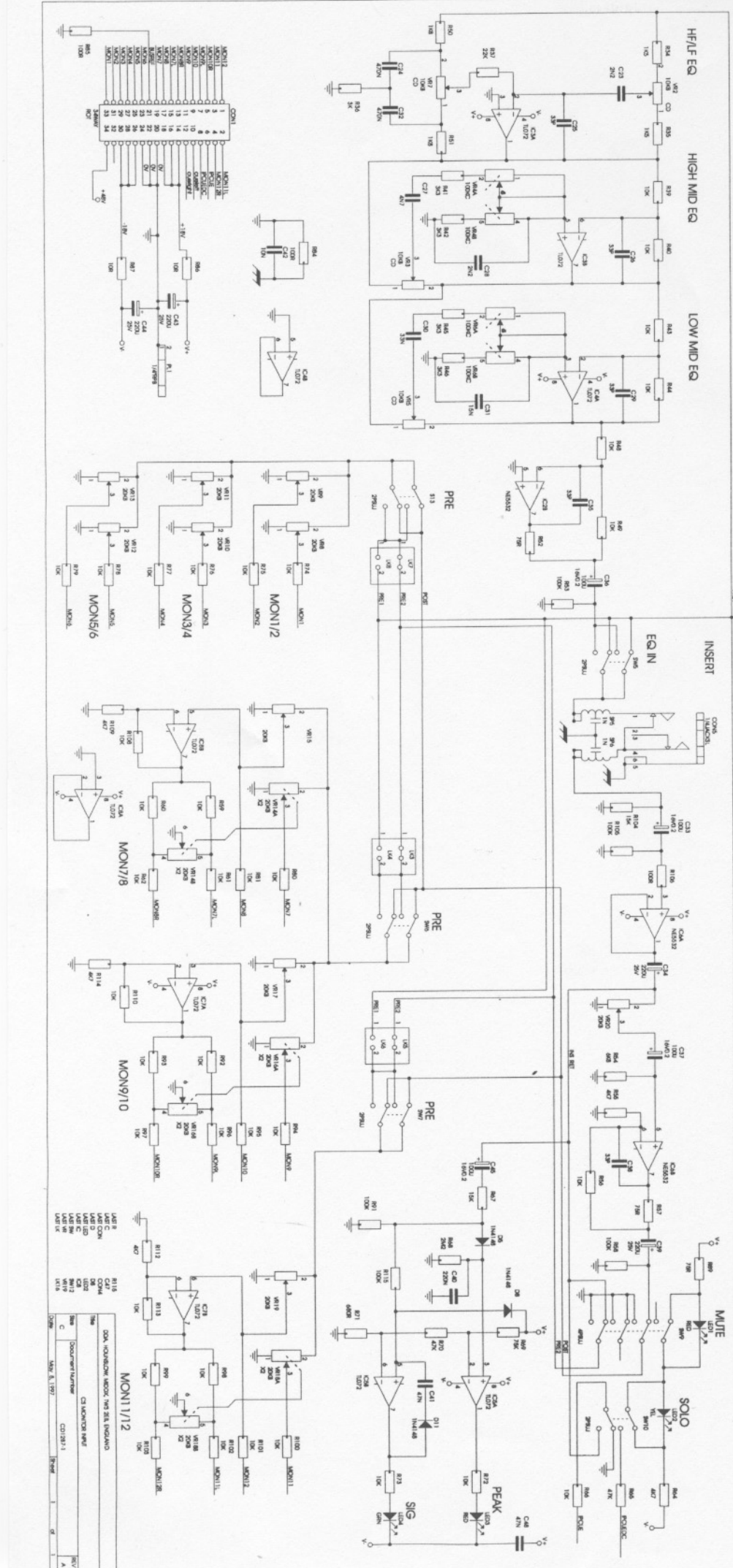
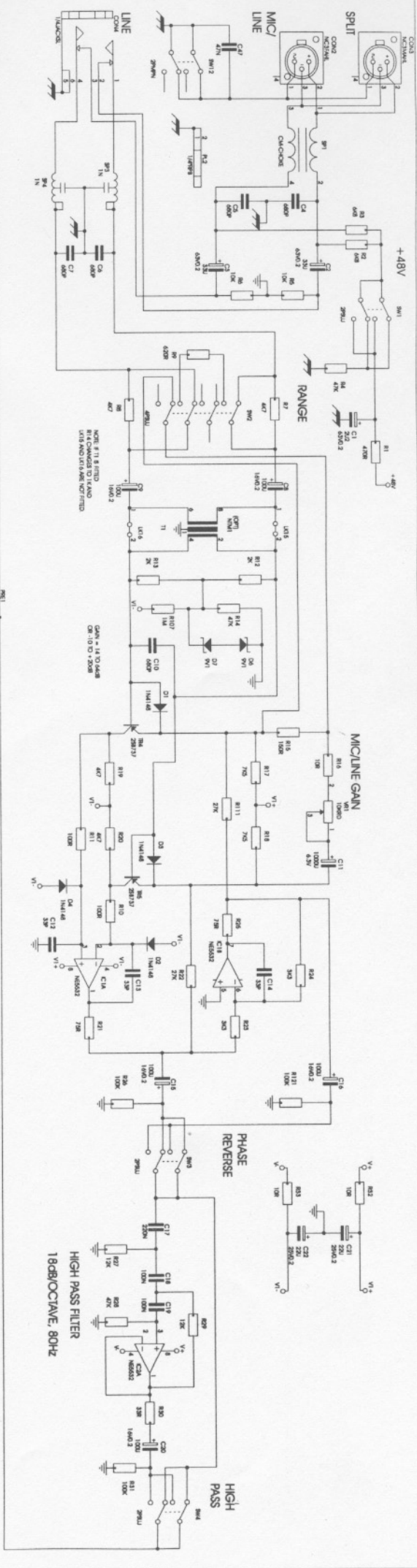
Fax: +44 (0) 1562 745371

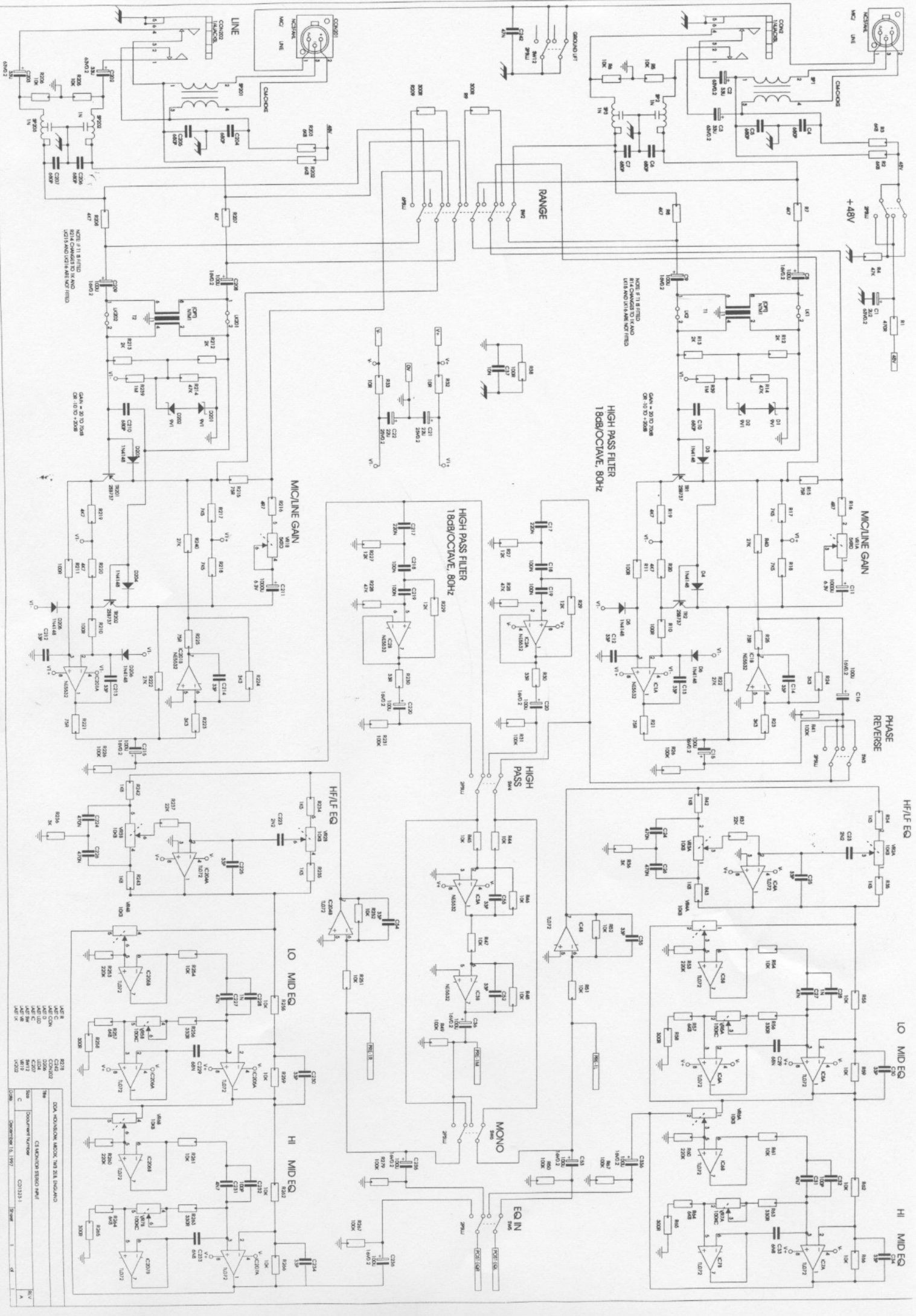
Email: [info@uk.telex.com](mailto:info@uk.telex.com)

Website: [www.ddaconsole.com](http://www.ddaconsole.com)

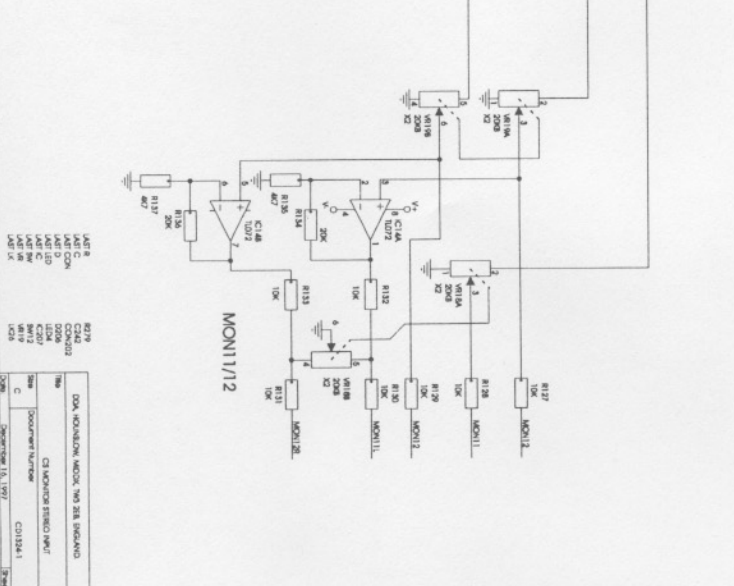
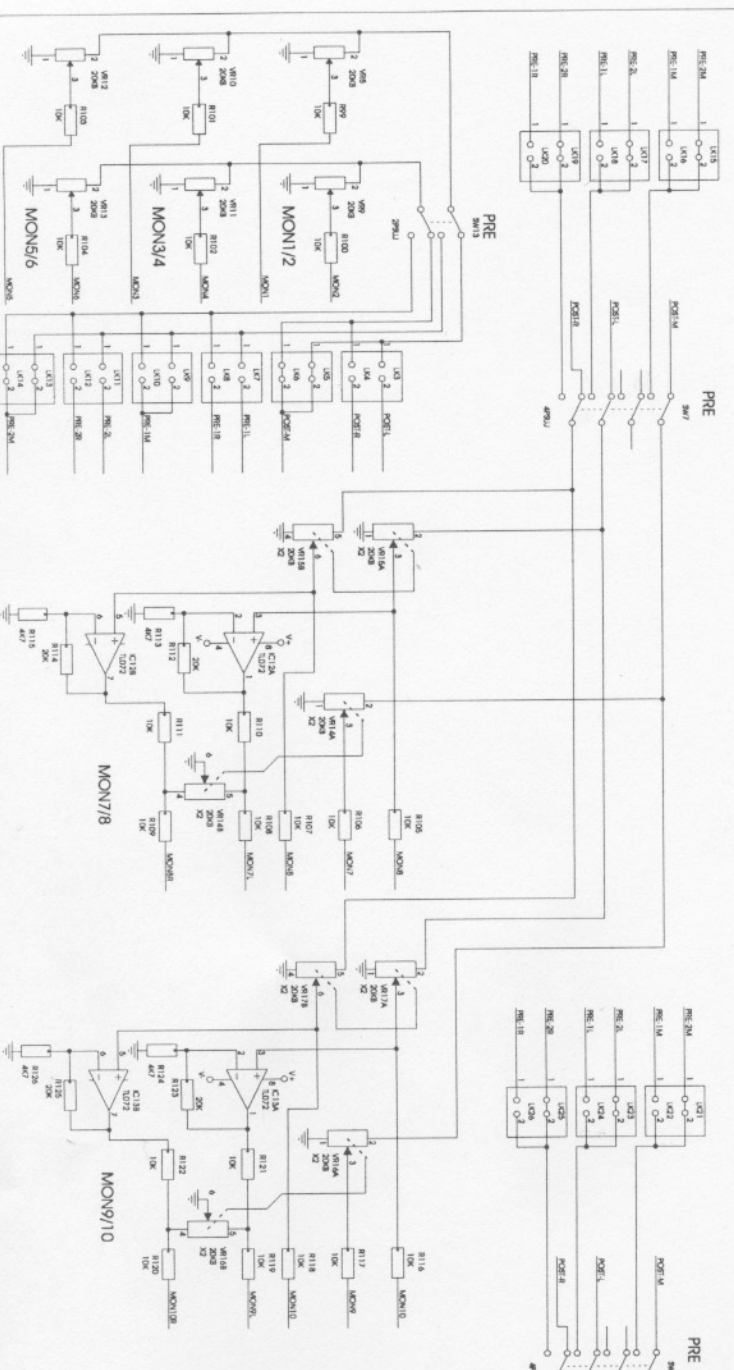
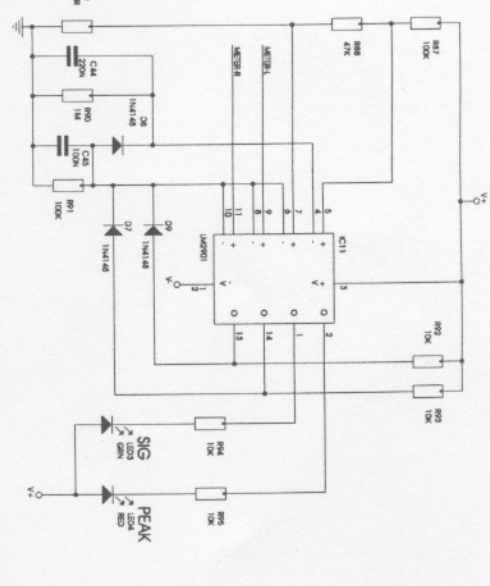
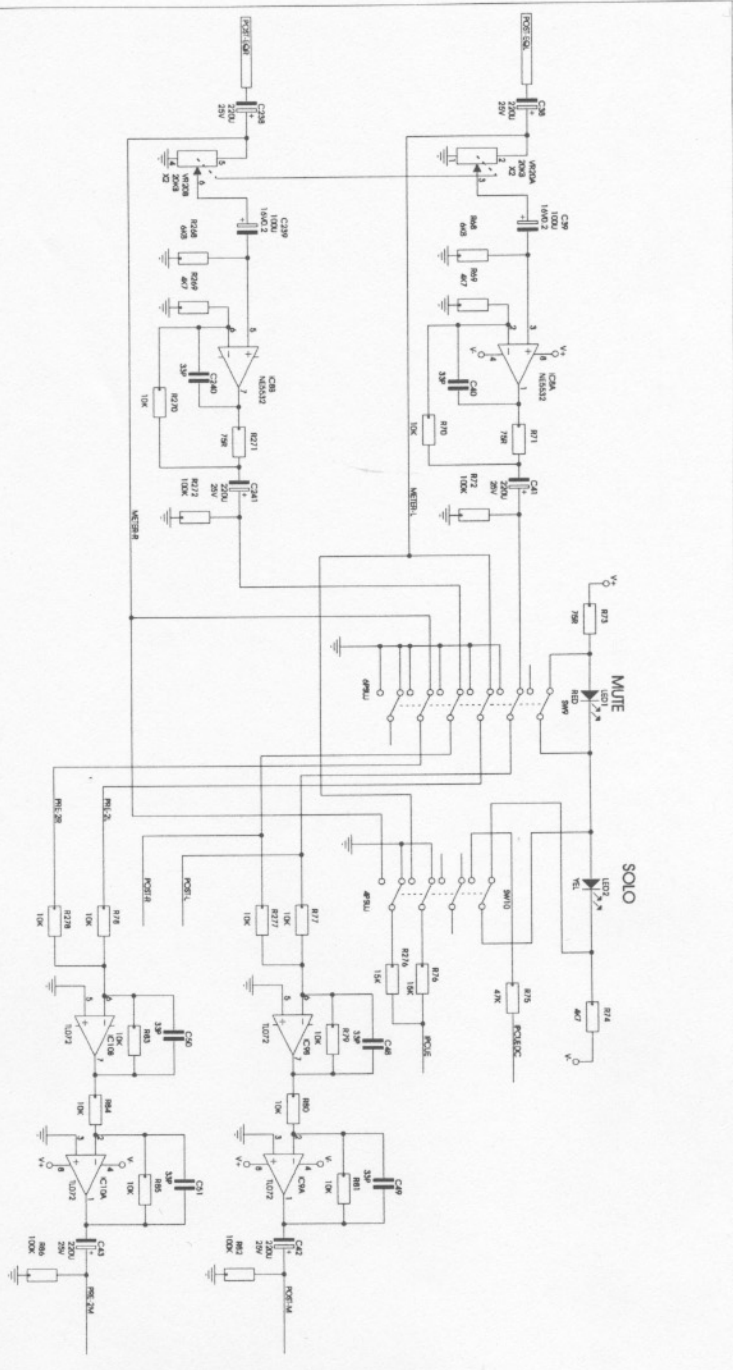
CS12M Schematics  
© Telex Communications (UK) Limited

In line with the company's policy of continual improvement, specifications and function maybe subject to change without notice. This Operator Manual was correct at the time of writing. E&OE.



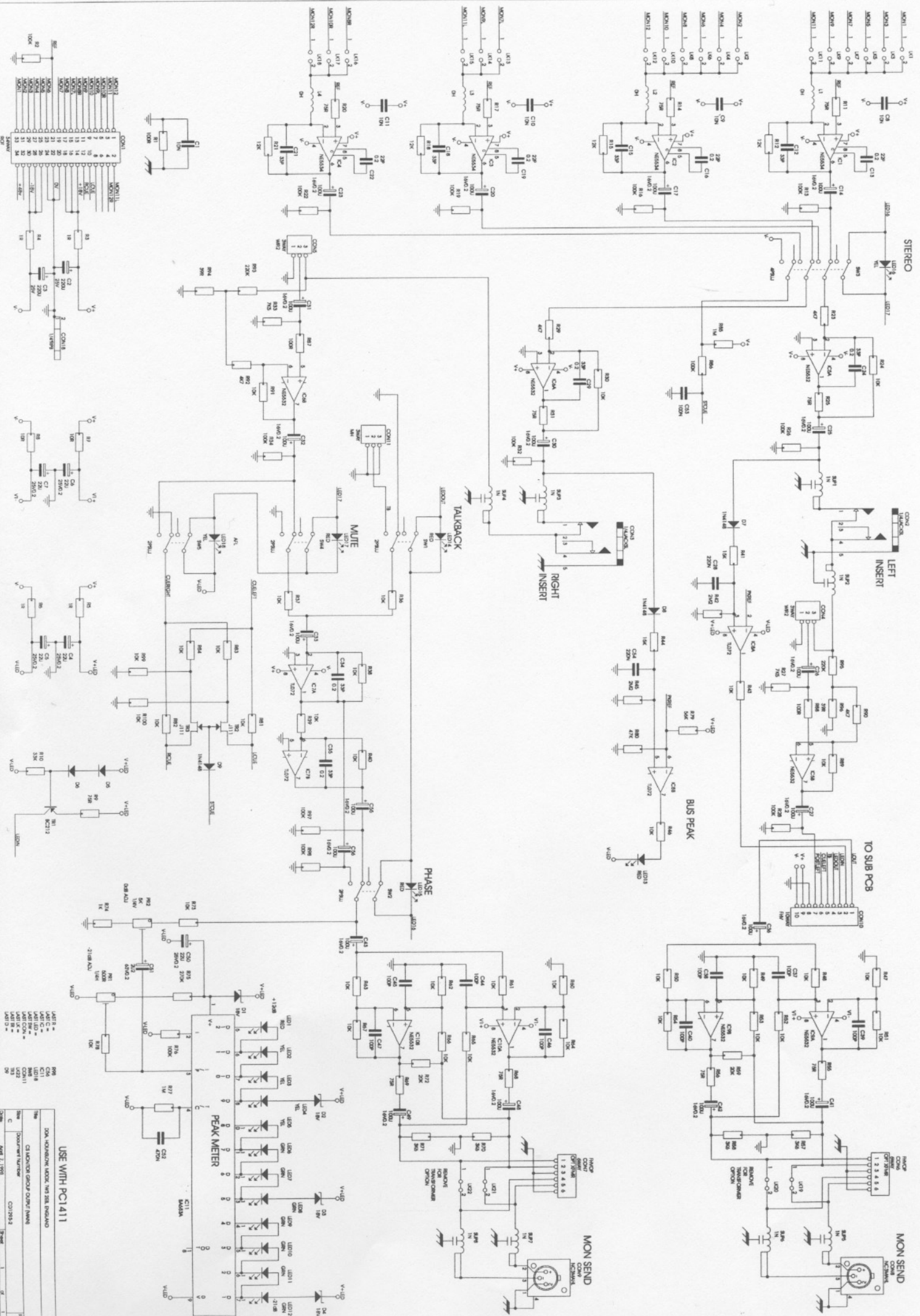


L478  
 L479  
 L480  
 L481  
 L482  
 L483  
 L484  
 L485  
 L486  
 L487  
 L488  
 L489  
 L490  
 L491  
 L492  
 L493  
 L494  
 L495  
 L496  
 L497  
 L498  
 L499  
 L500  
 L501  
 L502  
 L503  
 L504  
 L505  
 L506  
 L507  
 L508  
 L509  
 L510  
 L511  
 L512  
 L513  
 L514  
 L515  
 L516  
 L517  
 L518  
 L519  
 L520  
 L521  
 L522  
 L523  
 L524  
 L525  
 L526  
 L527  
 L528  
 L529  
 L530  
 L531  
 L532  
 L533  
 L534  
 L535  
 L536  
 L537  
 L538  
 L539  
 L540  
 L541  
 L542  
 L543  
 L544  
 L545  
 L546  
 L547  
 L548  
 L549  
 L550  
 L551  
 L552  
 L553  
 L554  
 L555  
 L556  
 L557  
 L558  
 L559  
 L560  
 L561  
 L562  
 L563  
 L564  
 L565  
 L566  
 L567  
 L568  
 L569  
 L570  
 L571  
 L572  
 L573  
 L574  
 L575  
 L576  
 L577  
 L578  
 L579  
 L580  
 L581  
 L582  
 L583  
 L584  
 L585  
 L586  
 L587  
 L588  
 L589  
 L590  
 L591  
 L592  
 L593  
 L594  
 L595  
 L596  
 L597  
 L598  
 L599  
 L600  
 L601  
 L602  
 L603  
 L604  
 L605  
 L606  
 L607  
 L608  
 L609  
 L610  
 L611  
 L612  
 L613  
 L614  
 L615  
 L616  
 L617  
 L618  
 L619  
 L620  
 L621  
 L622  
 L623  
 L624  
 L625  
 L626  
 L627  
 L628  
 L629  
 L630  
 L631  
 L632  
 L633  
 L634  
 L635  
 L636  
 L637  
 L638  
 L639  
 L640  
 L641  
 L642  
 L643  
 L644  
 L645  
 L646  
 L647  
 L648  
 L649  
 L650  
 L651  
 L652  
 L653  
 L654  
 L655  
 L656  
 L657  
 L658  
 L659  
 L660  
 L661  
 L662  
 L663  
 L664  
 L665  
 L666  
 L667  
 L668  
 L669  
 L670  
 L671  
 L672  
 L673  
 L674  
 L675  
 L676  
 L677  
 L678  
 L679  
 L680  
 L681  
 L682  
 L683  
 L684  
 L685  
 L686  
 L687  
 L688  
 L689  
 L690  
 L691  
 L692  
 L693  
 L694  
 L695  
 L696  
 L697  
 L698  
 L699  
 L700  
 L701  
 L702  
 L703  
 L704  
 L705  
 L706  
 L707  
 L708  
 L709  
 L710  
 L711  
 L712  
 L713  
 L714  
 L715  
 L716  
 L717  
 L718  
 L719  
 L720  
 L721  
 L722  
 L723  
 L724  
 L725  
 L726  
 L727  
 L728  
 L729  
 L730  
 L731  
 L732  
 L733  
 L734  
 L735  
 L736  
 L737  
 L738  
 L739  
 L740  
 L741  
 L742  
 L743  
 L744  
 L745  
 L746  
 L747  
 L748  
 L749  
 L750  
 L751  
 L752  
 L753  
 L754  
 L755  
 L756  
 L757  
 L758  
 L759  
 L760  
 L761  
 L762  
 L763  
 L764  
 L765  
 L766  
 L767  
 L768  
 L769  
 L770  
 L771  
 L772  
 L773  
 L774  
 L775  
 L776  
 L777  
 L778  
 L779  
 L780  
 L781  
 L782  
 L783  
 L784  
 L785  
 L786  
 L787  
 L788  
 L789  
 L790  
 L791  
 L792  
 L793  
 L794  
 L795  
 L796  
 L797  
 L798  
 L799  
 L800  
 L801  
 L802  
 L803  
 L804  
 L805  
 L806  
 L807  
 L808  
 L809  
 L810  
 L811  
 L812  
 L813  
 L814  
 L815  
 L816  
 L817  
 L818  
 L819  
 L820  
 L821  
 L822  
 L823  
 L824  
 L825  
 L826  
 L827  
 L828  
 L829  
 L830  
 L831  
 L832  
 L833  
 L834  
 L835  
 L836  
 L837  
 L838  
 L839  
 L840  
 L841  
 L842  
 L843  
 L844  
 L845  
 L846  
 L847  
 L848  
 L849  
 L850  
 L851  
 L852  
 L853  
 L854  
 L855  
 L856  
 L857  
 L858  
 L859  
 L860  
 L861  
 L862  
 L863  
 L864  
 L865  
 L866  
 L867  
 L868  
 L869  
 L870  
 L871  
 L872  
 L873  
 L874  
 L875  
 L876  
 L877  
 L878  
 L879  
 L880  
 L881  
 L882  
 L883  
 L884  
 L885  
 L886  
 L887  
 L888  
 L889  
 L890  
 L891  
 L892  
 L893  
 L894  
 L895  
 L896  
 L897  
 L898  
 L899  
 L900  
 L901  
 L902  
 L903  
 L904  
 L905  
 L906  
 L907  
 L908  
 L909  
 L910  
 L911  
 L912  
 L913  
 L914  
 L915  
 L916  
 L917  
 L918  
 L919  
 L920  
 L921  
 L922  
 L923  
 L924  
 L925  
 L926  
 L927  
 L928  
 L929  
 L930  
 L931  
 L932  
 L933  
 L934  
 L935  
 L936  
 L937  
 L938  
 L939  
 L940  
 L941  
 L942  
 L943  
 L944  
 L945  
 L946  
 L947  
 L948  
 L949  
 L950  
 L951  
 L952  
 L953  
 L954  
 L955  
 L956  
 L957  
 L958  
 L959  
 L960  
 L961  
 L962  
 L963  
 L964  
 L965  
 L966  
 L967  
 L968  
 L969  
 L970  
 L971  
 L972  
 L973  
 L974  
 L975  
 L976  
 L977  
 L978  
 L979  
 L980  
 L981  
 L982  
 L983  
 L984  
 L985  
 L986  
 L987  
 L988  
 L989  
 L990  
 L991  
 L992  
 L993  
 L994  
 L995  
 L996  
 L997  
 L998  
 L999  
 L1000



REF	DESCRIPTION	QTY	UNIT
819	819	1	RES
820	820	1	RES
821	821	1	RES
822	822	1	RES
823	823	1	RES
824	824	1	RES
825	825	1	RES
826	826	1	RES
827	827	1	RES
828	828	1	RES
829	829	1	RES
830	830	1	RES
831	831	1	RES
832	832	1	RES
833	833	1	RES
834	834	1	RES
835	835	1	RES
836	836	1	RES
837	837	1	RES
838	838	1	RES
839	839	1	RES
840	840	1	RES
841	841	1	RES
842	842	1	RES
843	843	1	RES
844	844	1	RES
845	845	1	RES
846	846	1	RES
847	847	1	RES
848	848	1	RES
849	849	1	RES
850	850	1	RES
851	851	1	RES
852	852	1	RES
853	853	1	RES
854	854	1	RES
855	855	1	RES
856	856	1	RES
857	857	1	RES
858	858	1	RES
859	859	1	RES
860	860	1	RES
861	861	1	RES
862	862	1	RES
863	863	1	RES
864	864	1	RES
865	865	1	RES
866	866	1	RES
867	867	1	RES
868	868	1	RES
869	869	1	RES
870	870	1	RES
871	871	1	RES
872	872	1	RES
873	873	1	RES
874	874	1	RES
875	875	1	RES
876	876	1	RES
877	877	1	RES
878	878	1	RES
879	879	1	RES
880	880	1	RES
881	881	1	RES
882	882	1	RES
883	883	1	RES
884	884	1	RES
885	885	1	RES
886	886	1	RES
887	887	1	RES
888	888	1	RES
889	889	1	RES
890	890	1	RES
891	891	1	RES
892	892	1	RES
893	893	1	RES
894	894	1	RES
895	895	1	RES
896	896	1	RES
897	897	1	RES
898	898	1	RES
899	899	1	RES
900	899	1	RES
901	901	1	RES
902	902	1	RES
903	903	1	RES
904	904	1	RES
905	905	1	RES
906	906	1	RES
907	907	1	RES
908	908	1	RES
909	909	1	RES
910	910	1	RES
911	911	1	RES
912	912	1	RES
913	913	1	RES
914	914	1	RES
915	915	1	RES
916	916	1	RES
917	917	1	RES
918	918	1	RES
919	919	1	RES
920	920	1	RES
921	921	1	RES
922	922	1	RES
923	923	1	RES
924	924	1	RES
925	925	1	RES
926	926	1	RES
927	927	1	RES
928	928	1	RES
929	929	1	RES
930	930	1	RES
931	931	1	RES
932	932	1	RES
933	933	1	RES
934	934	1	RES
935	935	1	RES
936	936	1	RES
937	937	1	RES
938	938	1	RES
939	939	1	RES
940	940	1	RES
941	941	1	RES
942	942	1	RES
943	943	1	RES
944	944	1	RES
945	945	1	RES
946	946	1	RES
947	947	1	RES
948	948	1	RES
949	949	1	RES
950	950	1	RES
951	951	1	RES
952	952	1	RES
953	953	1	RES
954	954	1	RES
955	955	1	RES
956	956	1	RES
957	957	1	RES
958	958	1	RES
959	959	1	RES
960	960	1	RES
961	961	1	RES
962	962	1	RES
963	963	1	RES
964	964	1	RES
965	965	1	RES
966	966	1	RES
967	967	1	RES
968	968	1	RES
969	969	1	RES
970	970	1	RES
971	971	1	RES
972	972	1	RES
973	973	1	RES
974	974	1	RES
975	975	1	RES
976	976	1	RES
977	977	1	RES
978	978	1	RES
979	979	1	RES
980	980	1	RES
981	981	1	RES
982	982	1	RES
983	983	1	RES
984	984	1	RES
985	985	1	RES
986	986	1	RES
987	987	1	RES
988	988	1	RES
989	989	1	RES
990	990	1	RES
991	991	1	RES
992	992	1	RES
993	993	1	RES
994	994	1	RES
995	995	1	RES
996	996	1	RES
997	997	1	RES
998	998	1	RES
999	999	1	RES
1000	999	1	RES





STEREO

LEFT INSERT

TO SUB PCB

MON SEND

RIGHT INSERT

TALKBACK

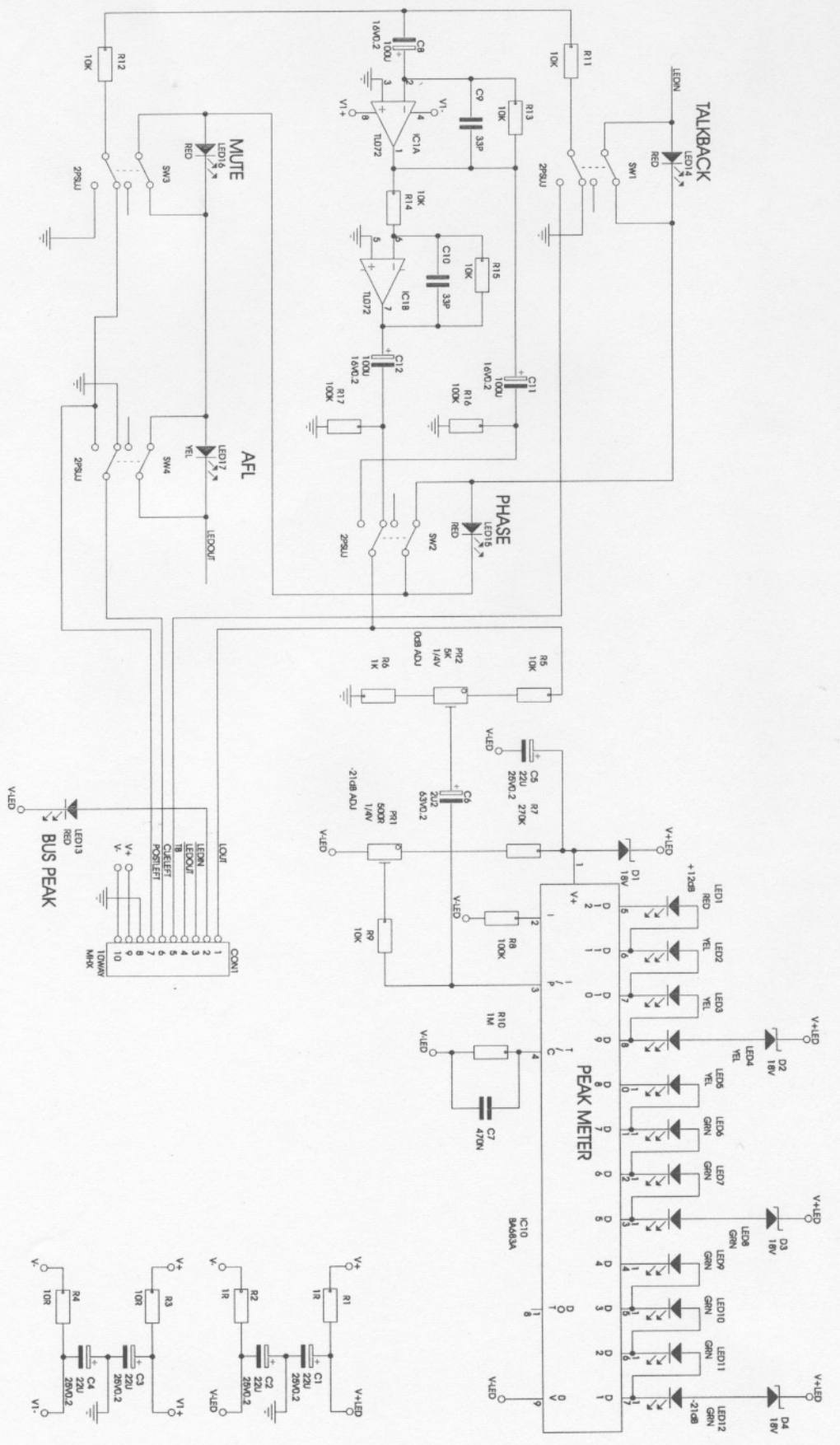
PHASE

MUTE

PEAK METER

USE WITH PC1411

IC1	7806	DOA, 100mA/30V	DOA, 100mA/30V
IC2	7805	DOA, 100mA/30V	DOA, 100mA/30V
IC3	7805	DOA, 100mA/30V	DOA, 100mA/30V
IC4	7805	DOA, 100mA/30V	DOA, 100mA/30V
IC5	7805	DOA, 100mA/30V	DOA, 100mA/30V
IC6	7805	DOA, 100mA/30V	DOA, 100mA/30V
IC7	7805	DOA, 100mA/30V	DOA, 100mA/30V
IC8	7805	DOA, 100mA/30V	DOA, 100mA/30V
IC9	7805	DOA, 100mA/30V	DOA, 100mA/30V
IC10	7805	DOA, 100mA/30V	DOA, 100mA/30V
IC11	7805	DOA, 100mA/30V	DOA, 100mA/30V
IC12	7805	DOA, 100mA/30V	DOA, 100mA/30V
IC13	7805	DOA, 100mA/30V	DOA, 100mA/30V
IC14	7805	DOA, 100mA/30V	DOA, 100mA/30V
IC15	7805	DOA, 100mA/30V	DOA, 100mA/30V
IC16	7805	DOA, 100mA/30V	DOA, 100mA/30V
IC17	7805	DOA, 100mA/30V	DOA, 100mA/30V
IC18	7805	DOA, 100mA/30V	DOA, 100mA/30V
IC19	7805	DOA, 100mA/30V	DOA, 100mA/30V
IC20	7805	DOA, 100mA/30V	DOA, 100mA/30V
IC21	7805	DOA, 100mA/30V	DOA, 100mA/30V
IC22	7805	DOA, 100mA/30V	DOA, 100mA/30V
IC23	7805	DOA, 100mA/30V	DOA, 100mA/30V
IC24	7805	DOA, 100mA/30V	DOA, 100mA/30V
IC25	7805	DOA, 100mA/30V	DOA, 100mA/30V
IC26	7805	DOA, 100mA/30V	DOA, 100mA/30V
IC27	7805	DOA, 100mA/30V	DOA, 100mA/30V
IC28	7805	DOA, 100mA/30V	DOA, 100mA/30V
IC29	7805	DOA, 100mA/30V	DOA, 100mA/30V
IC30	7805	DOA, 100mA/30V	DOA, 100mA/30V
IC31	7805	DOA, 100mA/30V	DOA, 100mA/30V
IC32	7805	DOA, 100mA/30V	DOA, 100mA/30V
IC33	7805	DOA, 100mA/30V	DOA, 100mA/30V
IC34	7805	DOA, 100mA/30V	DOA, 100mA/30V
IC35	7805	DOA, 100mA/30V	DOA, 100mA/30V
IC36	7805	DOA, 100mA/30V	DOA, 100mA/30V
IC37	7805	DOA, 100mA/30V	DOA, 100mA/30V
IC38	7805	DOA, 100mA/30V	DOA, 100mA/30V
IC39	7805	DOA, 100mA/30V	DOA, 100mA/30V
IC40	7805	DOA, 100mA/30V	DOA, 100mA/30V
IC41	7805	DOA, 100mA/30V	DOA, 100mA/30V
IC42	7805	DOA, 100mA/30V	DOA, 100mA/30V
IC43	7805	DOA, 100mA/30V	DOA, 100mA/30V
IC44	7805	DOA, 100mA/30V	DOA, 100mA/30V
IC45	7805	DOA, 100mA/30V	DOA, 100mA/30V
IC46	7805	DOA, 100mA/30V	DOA, 100mA/30V
IC47	7805	DOA, 100mA/30V	DOA, 100mA/30V
IC48	7805	DOA, 100mA/30V	DOA, 100mA/30V
IC49	7805	DOA, 100mA/30V	DOA, 100mA/30V
IC50	7805	DOA, 100mA/30V	DOA, 100mA/30V
IC51	7805	DOA, 100mA/30V	DOA, 100mA/30V
IC52	7805	DOA, 100mA/30V	DOA, 100mA/30V
IC53	7805	DOA, 100mA/30V	DOA, 100mA/30V
IC54	7805	DOA, 100mA/30V	DOA, 100mA/30V
IC55	7805	DOA, 100mA/30V	DOA, 100mA/30V
IC56	7805	DOA, 100mA/30V	DOA, 100mA/30V
IC57	7805	DOA, 100mA/30V	DOA, 100mA/30V
IC58	7805	DOA, 100mA/30V	DOA, 100mA/30V
IC59	7805	DOA, 100mA/30V	DOA, 100mA/30V
IC60	7805	DOA, 100mA/30V	DOA, 100mA/30V
IC61	7805	DOA, 100mA/30V	DOA, 100mA/30V
IC62	7805	DOA, 100mA/30V	DOA, 100mA/30V
IC63	7805	DOA, 100mA/30V	DOA, 100mA/30V
IC64	7805	DOA, 100mA/30V	DOA, 100mA/30V
IC65	7805	DOA, 100mA/30V	DOA, 100mA/30V
IC66	7805	DOA, 100mA/30V	DOA, 100mA/30V
IC67	7805	DOA, 100mA/30V	DOA, 100mA/30V
IC68	7805	DOA, 100mA/30V	DOA, 100mA/30V
IC69	7805	DOA, 100mA/30V	DOA, 100mA/30V
IC70	7805	DOA, 100mA/30V	DOA, 100mA/30V
IC71	7805	DOA, 100mA/30V	DOA, 100mA/30V
IC72	7805	DOA, 100mA/30V	DOA, 100mA/30V
IC73	7805	DOA, 100mA/30V	DOA, 100mA/30V
IC74	7805	DOA, 100mA/30V	DOA, 100mA/30V
IC75	7805	DOA, 100mA/30V	DOA, 100mA/30V
IC76	7805	DOA, 100mA/30V	DOA, 100mA/30V
IC77	7805	DOA, 100mA/30V	DOA, 100mA/30V
IC78	7805	DOA, 100mA/30V	DOA, 100mA/30V
IC79	7805	DOA, 100mA/30V	DOA, 100mA/30V
IC80	7805	DOA, 100mA/30V	DOA, 100mA/30V
IC81	7805	DOA, 100mA/30V	DOA, 100mA/30V
IC82	7805	DOA, 100mA/30V	DOA, 100mA/30V
IC83	7805	DOA, 100mA/30V	DOA, 100mA/30V
IC84	7805	DOA, 100mA/30V	DOA, 100mA/30V
IC85	7805	DOA, 100mA/30V	DOA, 100mA/30V
IC86	7805	DOA, 100mA/30V	DOA, 100mA/30V
IC87	7805	DOA, 100mA/30V	DOA, 100mA/30V
IC88	7805	DOA, 100mA/30V	DOA, 100mA/30V
IC89	7805	DOA, 100mA/30V	DOA, 100mA/30V
IC90	7805	DOA, 100mA/30V	DOA, 100mA/30V
IC91	7805	DOA, 100mA/30V	DOA, 100mA/30V
IC92	7805	DOA, 100mA/30V	DOA, 100mA/30V
IC93	7805	DOA, 100mA/30V	DOA, 100mA/30V
IC94	7805	DOA, 100mA/30V	DOA, 100mA/30V
IC95	7805	DOA, 100mA/30V	DOA, 100mA/30V
IC96	7805	DOA, 100mA/30V	DOA, 100mA/30V
IC97	7805	DOA, 100mA/30V	DOA, 100mA/30V
IC98	7805	DOA, 100mA/30V	DOA, 100mA/30V
IC99	7805	DOA, 100mA/30V	DOA, 100mA/30V
IC100	7805	DOA, 100mA/30V	DOA, 100mA/30V



- LAST V -
- LAST R -
- LAST C -
- LAST I -
- LAST LED -
- LAST CON -
- LAST D -

- PC2
- R17
- C12
- IC1
- LED17
- CONN1
- D4

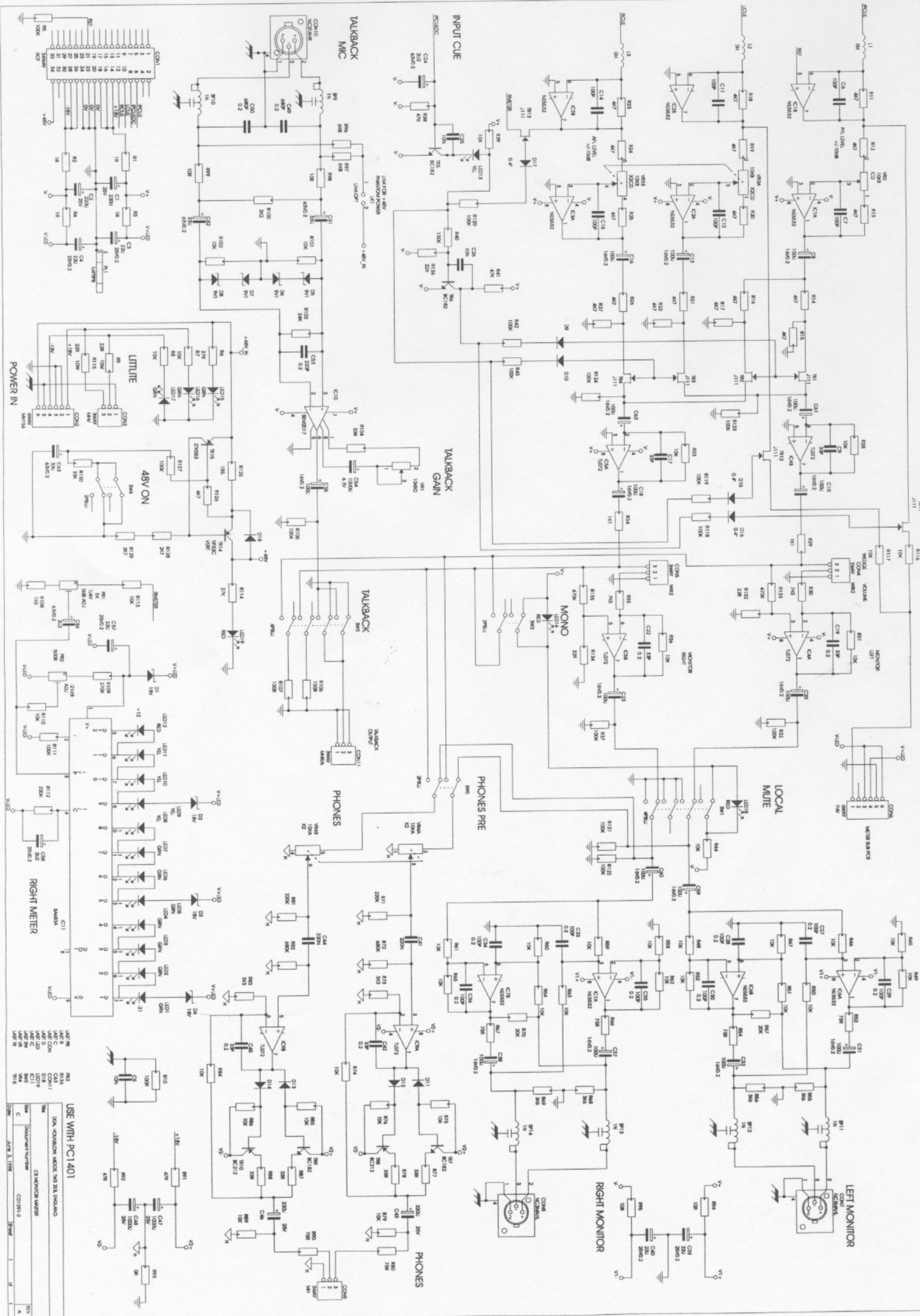
USE WITH PC1400

DDA, HOUSLICK, MOORE, TMA 28B, ENGLAND

CS MONITOR OUTPUT (S&B)

Document Number CD1294-1

DATE: June 3, 1997



POWER IN

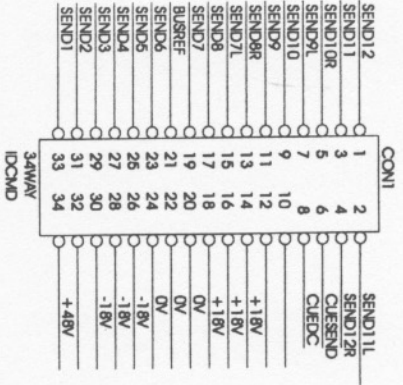
RIGHT MEIER

USE WITH PC1401

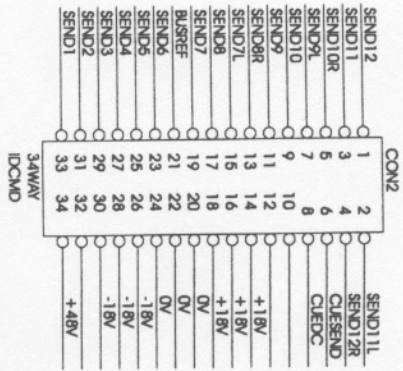
IC	FUNCTION	MANUFACTURER	PCB NUMBER
IC1	741	ON	PC1401
IC2	741	ON	PC1401
IC3	741	ON	PC1401
IC4	741	ON	PC1401



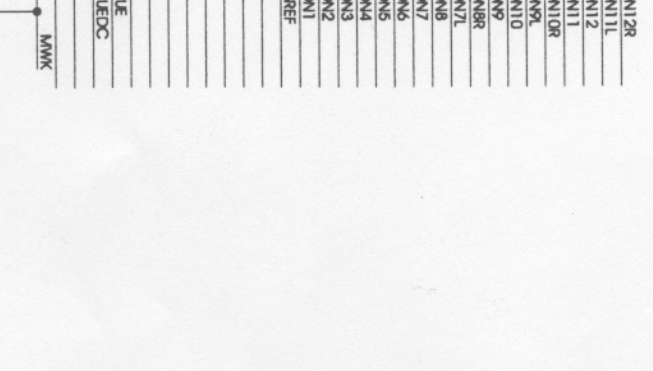
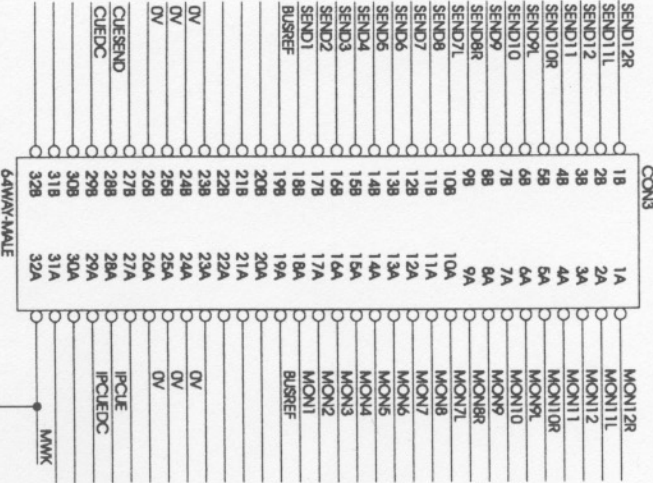
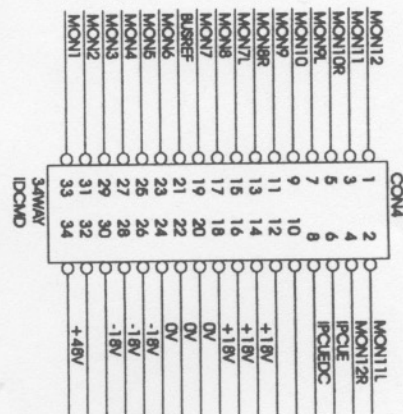
Input



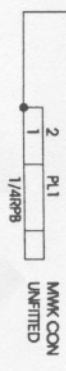
Input



Output



Mounted on track  
side of pcb

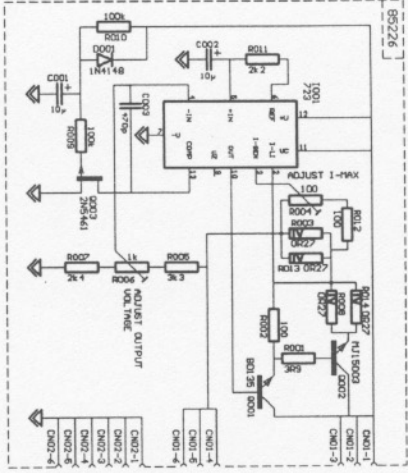
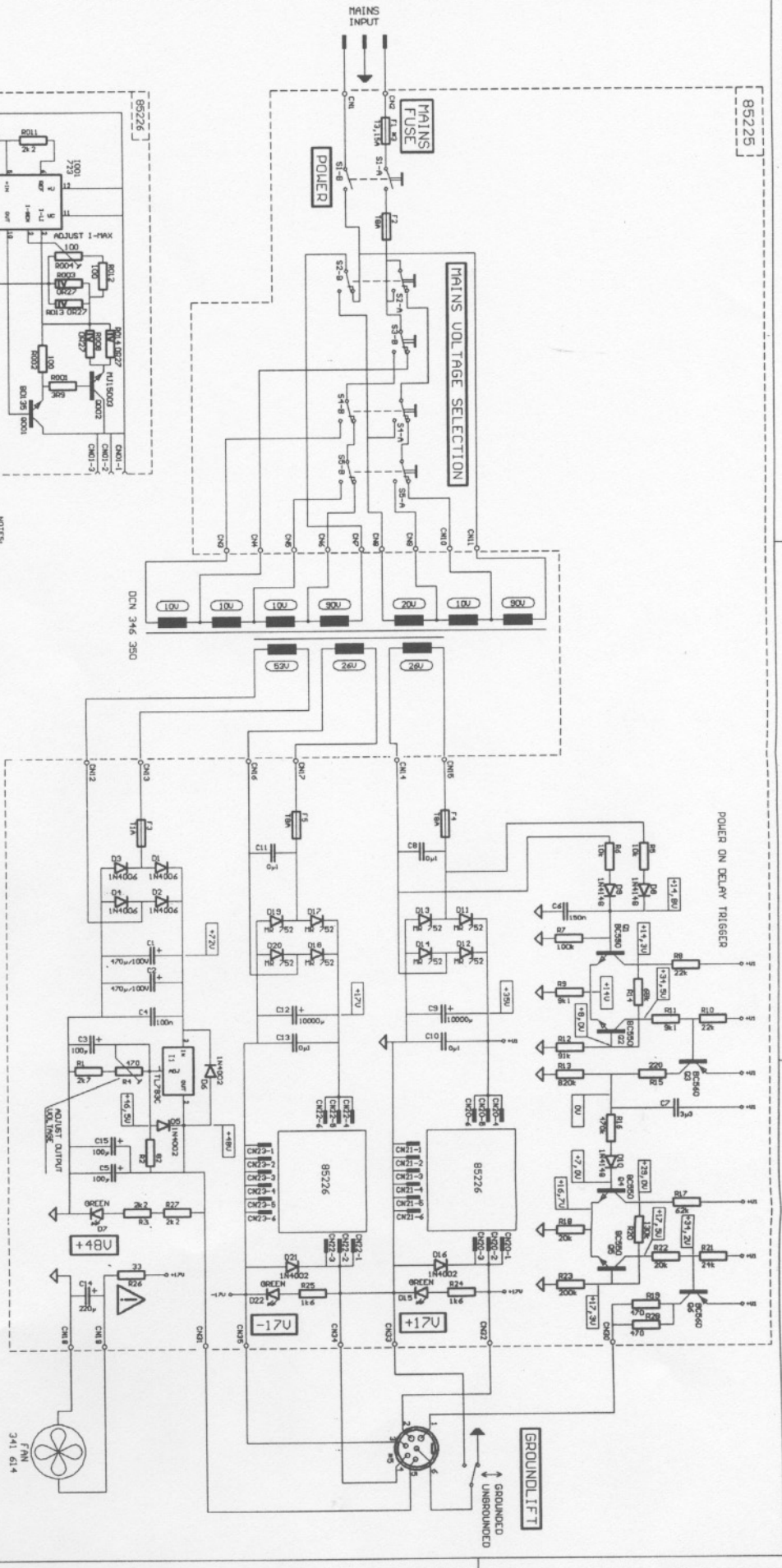


DDA, HOUNSLOW, MIDOX, TW3 ZEB, ENGLAND.

CS12 BUS LINK INTERFACE

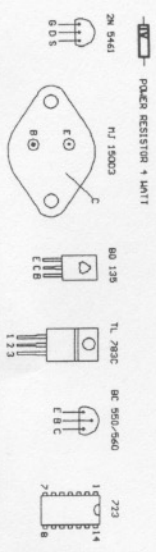
Title	Document Number	CD1313-1	REV
Size			A
Date:	May 29, 1997	Sheet	1 of 1





NOTES  
 \*3 F1 USE 13.15M FOR 240/250V AC  
 USE 16.2M FOR 100/120V AC

- MC VOLTAGE 50/60 HZ RE-RATED VOLTAGES 2000 OHMS/V
- DC VOLTAGE MEASURED WITH VOLTMETER H0004V NO-LONG
- SAFETY COMPONENT (MAY BE REQUIRED BY ORIGINAL PART)
- POWER RESISTOR 4 14W1



DATE	REVISION	DATE	NAME

ALTERNATIONS RESERVED	PSI2860	85225
		85226
	CIRCUIT DIAGRAM	1/1
	346 353	
	INTERFACE	2-